

TITAN MAX WASHER

LG TITAN MAX WASHER



TITAN MAX WASHER SPECIFICATIONS

NON-HEATER TCWM2013***



CYLINDER

Drum Volume	cu.ft (l)	5.2 (147)
Diameter	in. (mm)	24 (610.8)
Depth	in. (mm)	20.4 (518.1)

DIMENSIONS

Product (WxHxD)	In	29 x 40.8 x 32
	mm	737 x 1,036 x 814
With Door Open	In	53 (1,370)
Carton (WxHxD)	In	31 x 44.3 x 33.3
	mm	788 x 1,125 x 846
Weight (Product/Carton)	lb (kg)	222.6(100.5) / 247(112)

SPEED⁰⁾

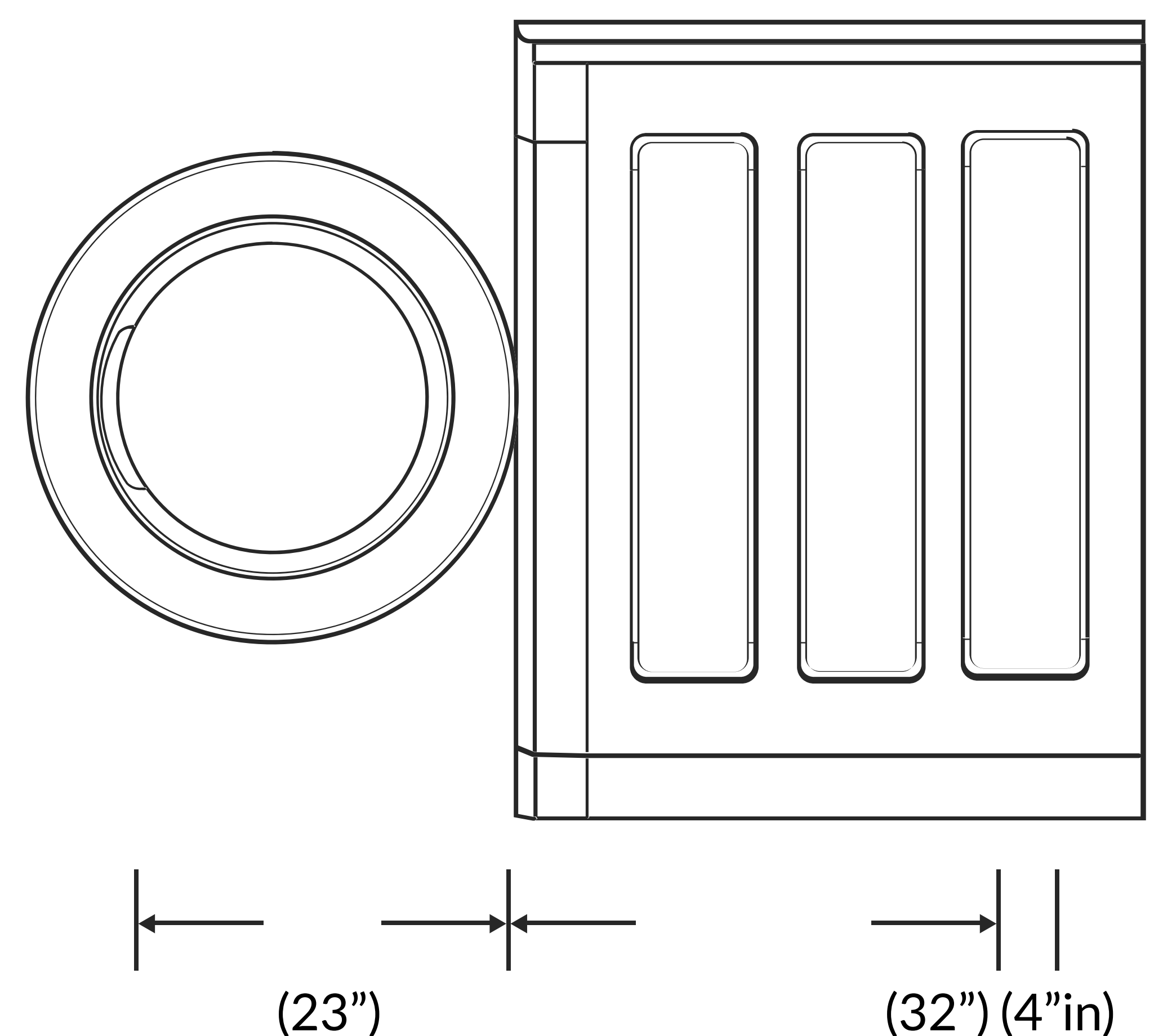
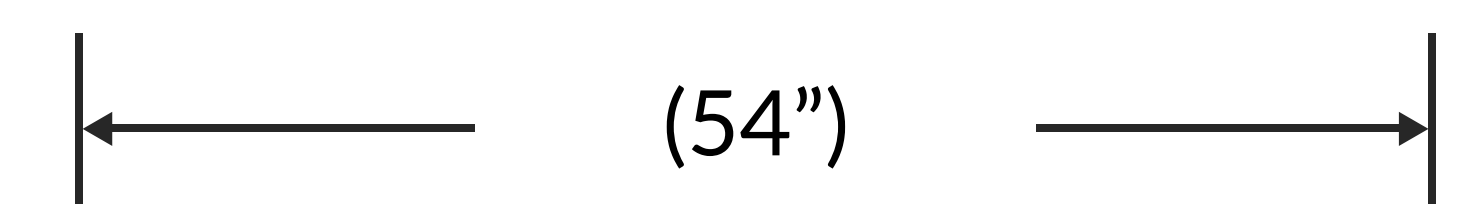
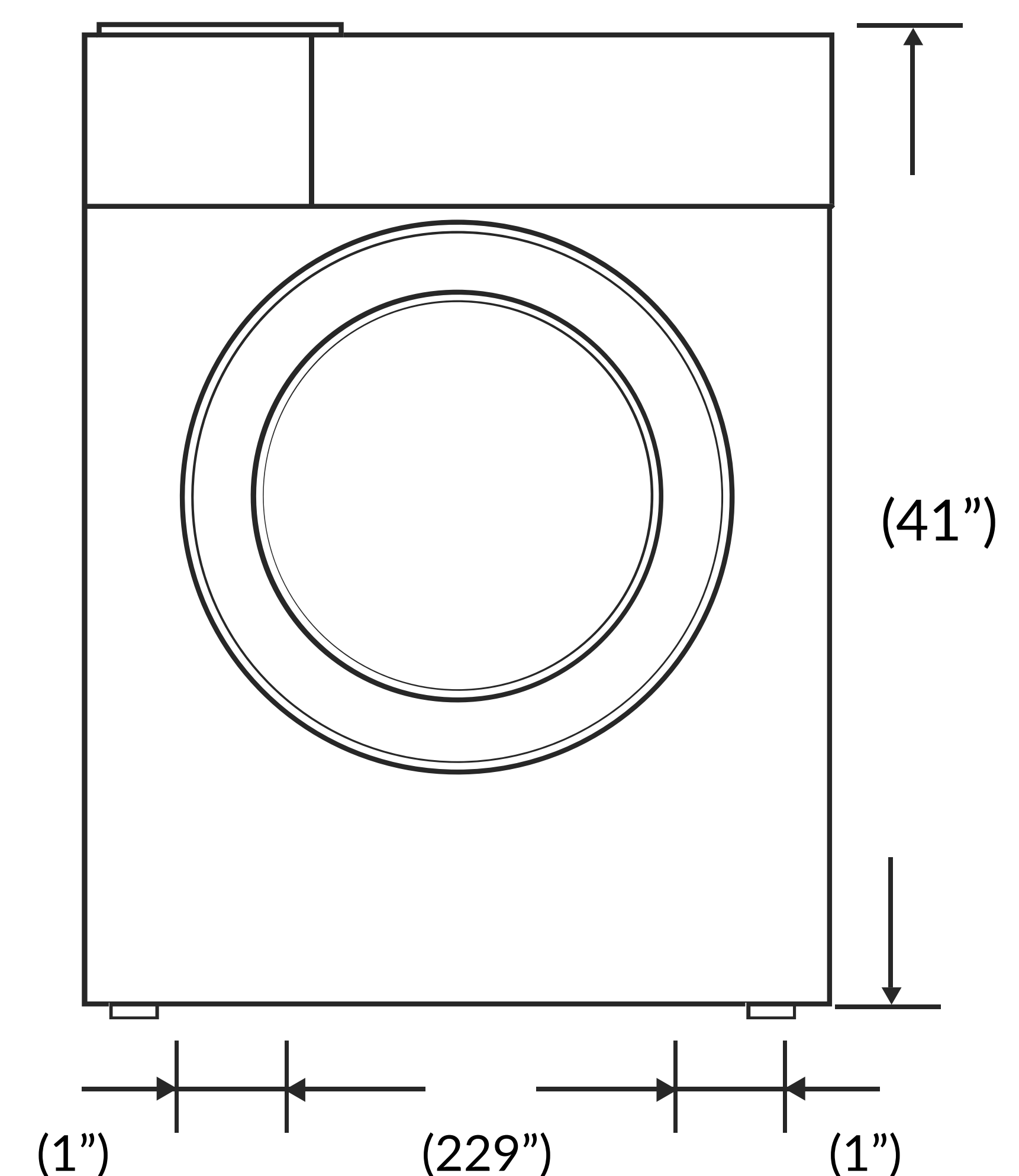
Wash	RPM	46
Extract (High Speed)	RPM	1,000
G-force	G	342

RATING⁰⁾

Electric Ratings	V/Hz/A	120 / 60 / 5
------------------	--------	--------------

CONSUMPTION INDEX⁰⁾²⁾

Water	gal (l)	18.5 (70.1)
Electricity	kW	120V / 0.5 (Heating 0.85~1.0)1)



NOISE & CYCLE TIME

Noise Level (Sound Power)	dB	Lower than 70
Program Duration in Minutes (Default) ⁰¹	min	36

SYSTEM & CONTROL

Inverter Direct Drive Motor		O
Heating Element	W	1,000 (100~120V Region)
	W	2,000 (220~240V Region)
Drain System		BLDC
Emergency Stop Button		O (OPL Only)
Auto Dosing Interface		O
Gyro Sensor		O
Damper		4 Friction Dampers

PROGRAMS⁰¹

Program 01		Hot*
Program 02		Warm*
Program 03		Cold*
Program 04		Delicates*
Program 05	Add Super Wash (Card & Coin)/ 20 Custom PGM (OPL)	

EXTERNAL FINISH

Drum		Stainless Steel
------	--	-----------------

CIRCUIT PROTECTION

PCB Fuse - Main Control Board	amps	12 (220~240V)
PCB Fuse- Filter Assembly	amps	15

This specification is different by countries. For the most accurate information, please refer to service manual.

- 01** Only for tub clean cycle using heater.
- 02** Half loading (7.5kg) / Default water level (Non heater : high / Heater : Mid), *This water consumption can be different according to load and water level.
- 03** When you press button for 3 seconds, Cold cycle will be changed to Custom PGM. (Cold for coin model, Custom PGM for OPL model)