

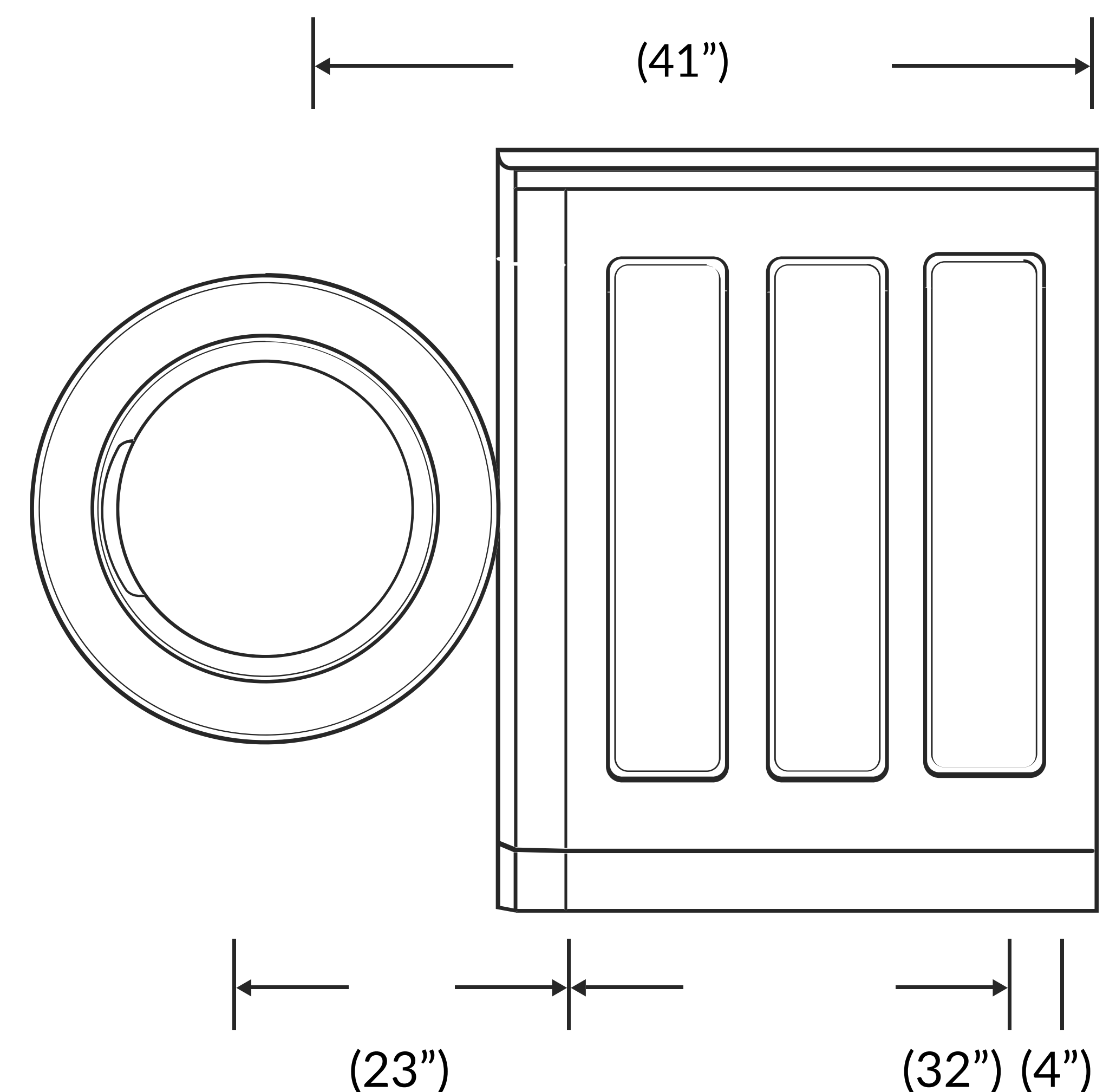
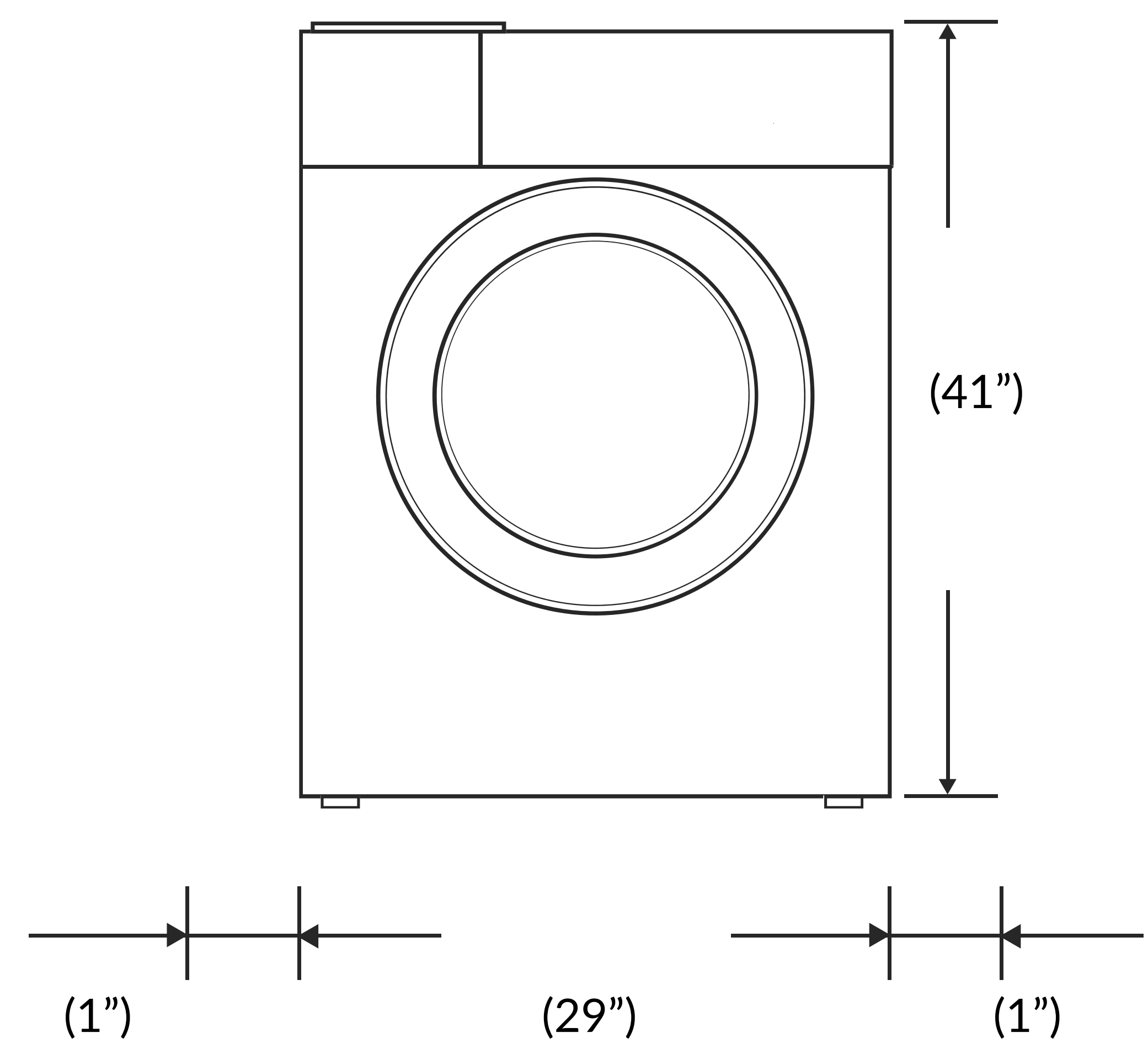
GIANT MAX WASHER

LG GIANT MAX WASHER



GIANT MAX WASHER SPECIFICATIONS

NON-HEATER GCWM1069***



CYLINDER

Drum Volume	cu.ft (l)	3.7 (104.8)
Diameter	in. (mm)	22.1 (560)
Depth	in. (mm)	16.5 (419.3)

DIMENSIONS

Product (WxHxD)	in	27 x 38.7 x 30.2
	mm	686 x 983 x 767
With Door Open	in	55
	mm	1396
Carton (WxHxD)	in	29.6 x 42.9 x 31.4
	mm	752 x 1,080 x 798
Weight (Product/Carton)	lb	196 / 213
	Kg	752 x 1,080 x 798

SPEED⁰⁾

Wash	RPM	40~50
Extract (High Speed)	RPM	1200
G-force	G	451

RATING⁰⁾

Electric Ratings	V/Hz/A	120 / 60 / 5
------------------	--------	--------------

CONSUMPTION INDEX⁰⁾

Water	gal (l)	15.9 (60.1)2)
Electricity	kW	100~120V/0.5 (Heat0.85~1.0)1)

NOISE & CYCLE TIME

Noise Level (Sound Power)	dB	Lower than 62
Program Duration in Minutes (Default) ⁰⁾	min	36

SYSTEM & CONTROL

Inverter Direct Drive Motor	W	O
Heating Element	W	1,000 (100~120V Region) ¹⁾
Drain System	W	BLDC Pump Drain
Auto Dosing Interface		O
Gyro Sensor		O
Damper		4 Friction Dampers

PROGRAMS⁰⁾

Program 01	Hot or Hygiene (Short Key) ⁴⁾ *Pre-Clean (Long Key) ⁵⁾
Program 02	Warm
Program 03	Cold
Program 04	Delicates
Program 05	O
Damper	Add Super Wash (Card & Coin)/ Custom PGM (OPL)

EXTERNAL FINISH

Drum	Stainless Steel
------	-----------------

CIRCUIT PROTECTION

PCB Fuse - Main Control Board	amps	12 (220~240V)
PCB Fuse- Filter Assembly	amps	15

This specification is different by countries. For the most accurate information, please refer to service manual.

- 01** Only for Hygiene or tub clean cycle using heater.
- 02** Half loading (6.5kg) / Default water level (Non heater : high / Heater : Mid) *This water consumption can be different according to load and water level.
- 03** Washer detects water temperature and adjusts heating time automatically if hot water supply is available
- 04** If H4CS is dISb(disable), Hot cycle can be run. If H4CS is EnAb(enable), hygiene cycle can be run.
- 05** When you press button for 3 seconds, Hot or Hygiene cycle will be changed to Pre-Clean cycle. (If ItCL is EnAb(enable), Pre-Clean cycle can be run.)
- 06** When you press button for 3 seconds, Cold cycle will be changed to Custom PGM. (Cold for coin model, Custom PGM for OPL model)