

# GIANT MAX DRYER

LG GIANT PRO DRYER



## GIANT MAX DRYER SPECIFICATIONS



GAS: GDL1329\*G\*\*

ELECTRIC: GDL1329\*\*E\*

### CYLINDER

		GAS: GDL1329*G**	ELECTRIC: GDL1329**E*
Drum Volume	cu.ft (l)	7.3 (207)	7.3 (207)
Diameter	in. (mm)	26.1 (663)	26.1 (663)
Depth	in. (mm)	22.5 (570.6)	22.5 (570.6)

### DIMENSIONS

		GAS: GDL1329*G**	ELECTRIC: GDL1329**E*
Product (WxHxD)	in	27 x 38.7 x 30.1	27 x 38.7 x 30.1
	mm	686 x 983 x 764	686 x 983 x 764
With Door Open	in. (mm)	49.8 (1,264)	49.8 (1,264)
Carton (WxHxD)	in	29.9 x 46.1.4 x 31.3	29.9 x 46.1.4 x 31.3
	mm	760 x 1,170x 795	760 x 1,170x 795
Weight (Product/ Carton)	lb (kg)	131 (59.4) / 150 (68)	131 (59.4) / 150 (68)

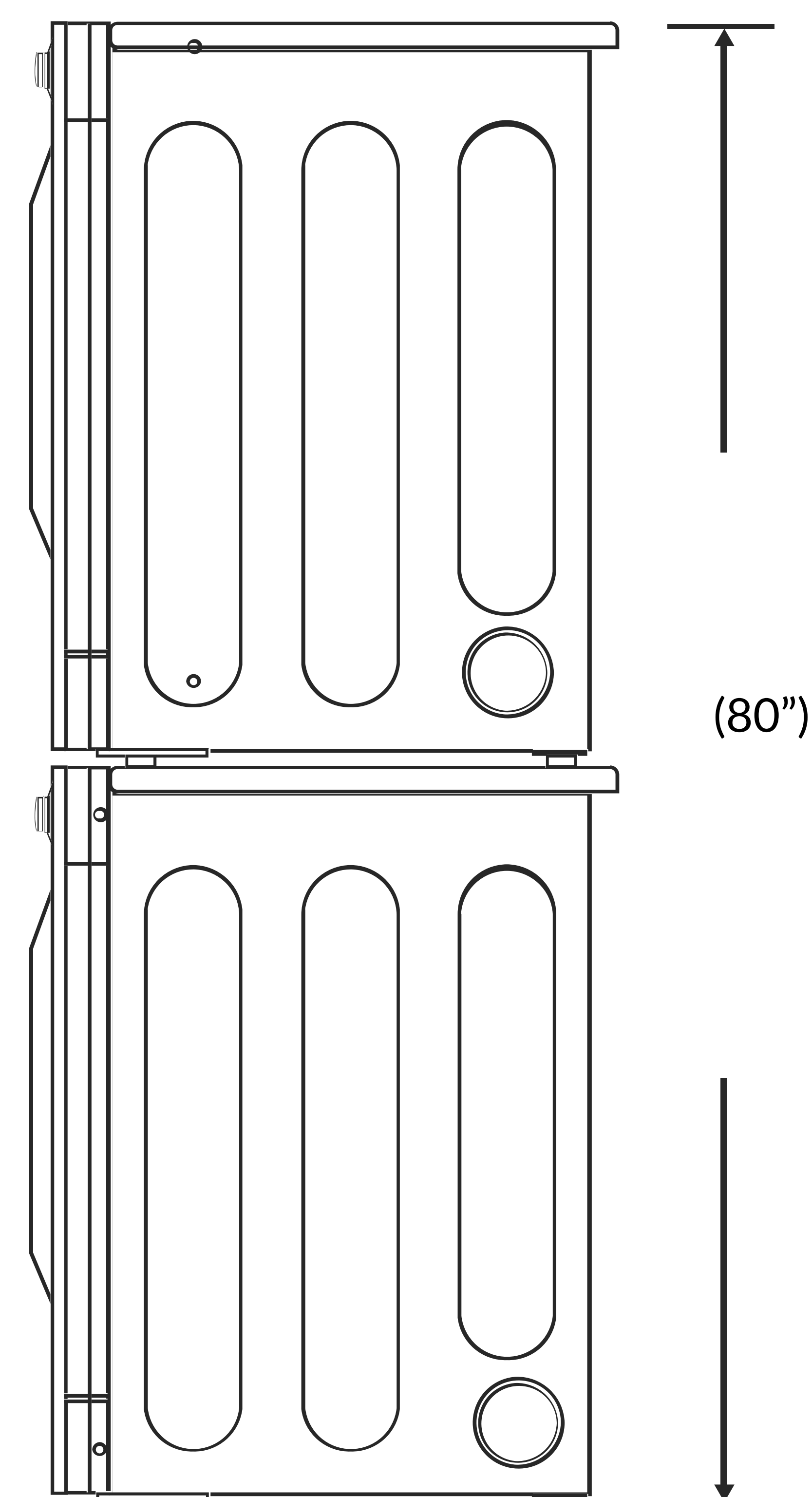
### RATING<sup>0)</sup>

		GAS: GDL1329*G**	ELECTRIC: GDL1329**E*
Electric Ratings	V/Hz/A	120/60/5	120 /60/26

### CONSUMPTION INDEX PER CYCLE<sup>0)</sup>

		GAS: GDL1329*G**	ELECTRIC: GDL1329**E*
Gas	kW	5.81	-
Electricity	kW	0.35 (Max 0.7)	4.5~5.4

Washer & Dryer



## SYSTEM & CONTROL

Heating Type		Gas (LNG/LPG) <sup>02</sup>	Electric
Type of Drying		Ventilation	Ventilation
Air Flow	CFM	160	160
Motor	kW	5.8/20,000	-
Gas Ratings <sup>01</sup>	kW/BTU	5.8/20,000	-
Heating Element	kW	-	5.4
Program Duration in Minutes (Default) <sup>01</sup>	min	45 (NA)	45 (NA)

## CONNECTIONS

Air Outlet Diameter	in. (mm)	4 (100)	4 (100)
Exhaust Airflow Diameter	in. (mm)	4 (100)	4 (100)

## PROGRAMS

Program 01	High Temp	High Temp
Program 02	Med Temp	Med Temp
Program 03	Low Temp	Low Temp
Program 04	No Heat	No Heat

## EXTERNAL FINISH

Drum	Alcosta	Alcosta
------	---------	---------

This specification is different by countries. For the most accurate information, please refer to service manual.

<sup>01</sup> 4,500W for some countries due to power limitation (e.g. Australia).

<sup>02</sup> Gas type depends on country sales model.

Dryer

